

Strut Channel with Elongated Holes (Deep Profile)



STR-12G-158-158-EHO Submittal Sheet

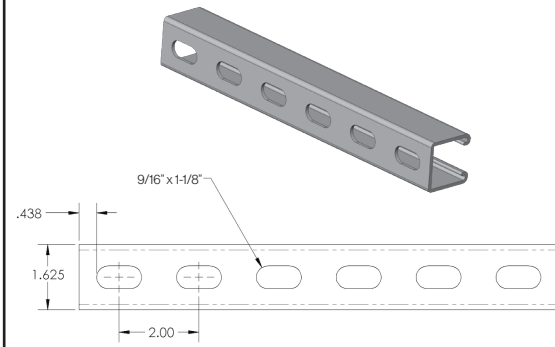
Overview

Rep Materials' Pre-Galvanized Deep Strut Channel metal framing is used to support conduit, panel boxes, raceway systems and other electrical components. Strut Channel raceways are exceptionally versatile in that the support systems can be attached to ceilings, wood or steel beams, inside columns or imbedded in concrete. Steel strut combines strength, durability, and corrosion resistance, making it a reliable choice for various construction and engineering projects where stability and longevity are essential.

Consistent Quality

Material (steel strip) is immersed in a galvanized bath prior to roll-forming or press operations that cold works the strip steel into the desired channel profile. This method produces a cross section of uniform dimensions within a tolerance of +/- .015".

Rep Material's Pre-Galvanized Strut coating conforms to ASTM A653, Grade 90 General Requirement for Steel Sheet, Zinc-Coated (Galvanized) by Hot Dip Process.



BEAM LOADING- 1-5/8" X 1-5/8" 12 GAUGE

SPAN (IN)	MAX. ALLOWABLE UNIFORM LOAD (LBS.)	DEFLECTION @ UNIFORM LOAD (IN.)	SPAN/180 (LBS.)	SPAN/240 (LBS.)	SPAN/360 (LBS.)
24	1690	0.06	1690	1690	1690
36	1130	0.13	1130	1130	900
48	850	0.22	850	760	500
60	680	0.35	650	480	320
72	560	0.50	450	340	220
84	480	0.68	330	250	160
96	420	0.89	250	190	130
108	380	1.14	200	150	100
120	340	1.40	160	120	80
144	280	2.00	110	80	60
168	240	2.72	80	60	40
192	210	3.55	60	50	NR
216	190	4.58	50	40	NR
240	170	5.62	40	NR	NR

This load table is based on a solid channel section STR-12G-158-158-SLD.
 For elongated hole channels STR-12G-158-158-EHO reduce beam load values by 15%.
 For concentrated load at center of span, divide uniform load by 2 and multiply corresponding deflection by .80.
 Loads include weight of channel, which must be deducted.
 Loads must be multiplied by the applicable unbraced factor from the "Lateral Bracing Load Reduction Chart".
 NR- Not Recommended

COLOMN LOADING- 1-5/8" X 1-5/8" 12 GAUGE

UNBRACED HEIGHT (IN.)	MAX. ALLOWABLE LOAD @ SLOT FACE (LBS.)	K=0.65 (LBS.)	K=0.80 (LBS.)	K=1.0 (LBS.)	K=1.2
24	3550	10740	9890	8770	7740
36	3190	8910	7740	6390	5320
48	2770	7260	6010	4690	3800
60	2380	5910	4690	3630	2960
72	2080	4840	3800	2960	2400
84	1860	4040	3200	2480	1980
96	1670	3480	2750	2110	1660
108	1510	3050	2400	1810	***
120	1380	2700	2110	***	***
144	1150	2180	1660	***	***

***- Not Recommended KL/r exceeds 200
 Column loads are for allowable axial loads and must be reduced for eccentric loading

LATERAL BRACING FACTORS - SINGLE CHANNEL

SPAN (FT)	SPAN (IN.)	1-5/8" X 1-5/8" X 10' 12 GAUGE (DEEP PROFILE)
2	24	1.00
3	36	0.94
4	48	0.88
5	60	0.82
6	72	0.78
7	84	0.75
8	96	0.71
9	108	0.69
10	120	0.66
12	144	0.61

Submittal Information

Company Name	Phone	Date
Address	Project Name	Project Date
City	Project City	Comments
State & Zip	Project State	