

Double Channel Post Base

SAC-BPDC



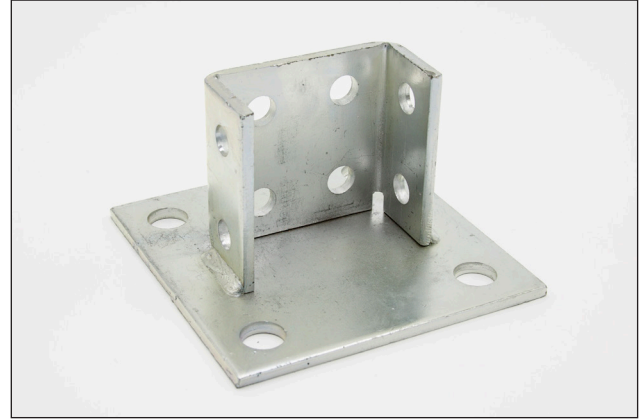
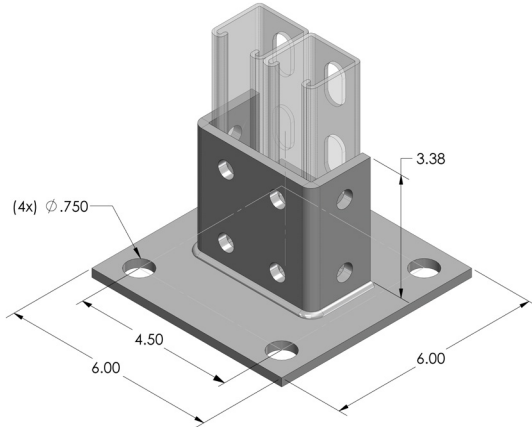
Overview

Rep Materials' double channel post base is a structural connector used in construction to secure and support vertical posts, similar to a single channel post base but with a key difference: it has two channels instead of one.

Double-channel post bases are commonly used in applications where increased strength and support are required.

Specs

- Designed to fit 1-5/8" Back to Back Strut Channel
- Manufactured from 1/4" Electro Galvanized Steel



WEIGHT CHART

Beam Clamp, U-Bolt Beam Clamp, Spring and Plain Channel Nut, Single and Double Channel Base Plate

Name	Item	Size	Weights/PC lbs.	Weights/100 lbs.
Beam Clamp	SAC-BCF	3/8"	0.95	95
U-Bolt Beam Clamp	SAC-BCUB338	3-3/8" X 2-1/2"	0.83	83
Spring Nut Long	SAC-SNL02	1/4"	0.08	8
Spring Nut Long	SAC-SNL03	3/8"	0.10	10
Spring Nut Long	SAC-SNL05	1/2"	0.12	12
Plain Channel Nut	SAC-PCN02	1/4"	0.07	7
Plain Channel Nut	SAC-PCN03	3/8"	0.10	10
Plain Channel Nut	SAC-PCN05	1/2"	0.12	12
Single Channel Base Plate	SAC-BPSC	6" x 6"	3.73	373
Double Channel Base Plate	SAC-BPDC	6" x 6"	4.08	408

Submittal Information

Company Name	Phone	Date
Address	Project Name	Project Date
City	Project City	Comments
State & Zip	Project State	