

# U-Bolt Beam Clamp

SAC-BCUB338



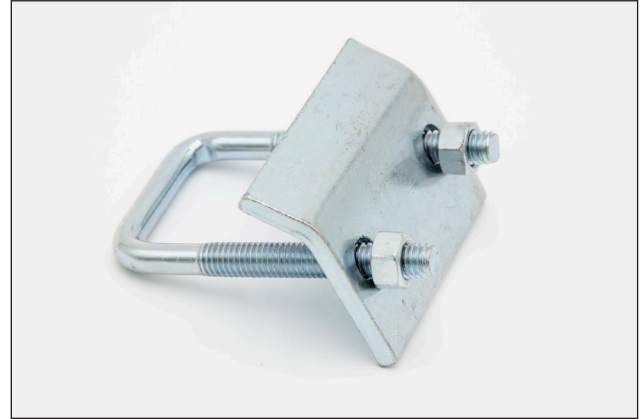
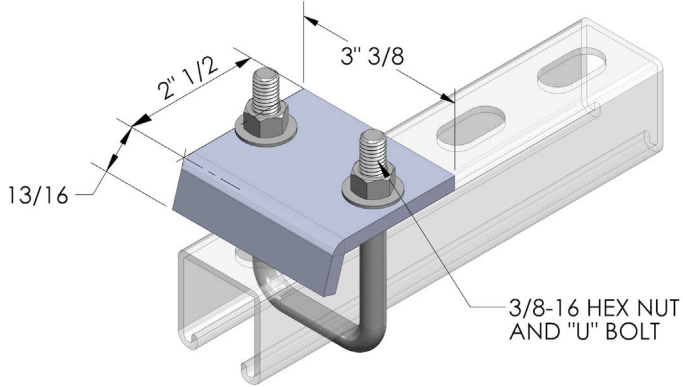
## Overview

Rep Materials' U-bolt beam clamp is a type of fastening device used to secure conduit to structural beams or supports. It consists of a U-shaped bolt with threaded ends and a flat plate or saddle that attaches to the bottom of the bolt.

The U-bolt is designed to wrap around a structural beam, while the plate or saddle provides a surface for attaching the object being secured.

## Specs

- Manufactured to secure 1-5/8" strut channels or all thread rod to beams or supports
- U-Bolt Beam Clamps are Electro Galvanized 1/4" thick steel



## WEIGHT CHART

Beam Clamp, U-Bolt Beam Clamp, Spring and Plain Channel Nut, Single and Double Channel Base Plate

Name	Item	Size	Weights/PC lbs.	Weights/100 lbs.
Beam Clamp	SAC-BCF	3/8"	0.95	95
U-Bolt Beam Clamp	SAC-BCUB338	3-3/8" X 2-1/2"	0.83	83
Spring Nut Long	SAC-SNL02	1/4"	0.08	8
Spring Nut Long	SAC-SNL03	3/8"	0.10	10
Spring Nut Long	SAC-SNL05	1/2"	0.12	12
Plain Channel Nut	SAC-PCN02	1/4"	0.07	7
Plain Channel Nut	SAC-PCN03	3/8"	0.10	10
Plain Channel Nut	SAC-PCN05	1/2"	0.12	12
Single Channel Base Plate	SAC-BPSC	6" x 6"	3.73	373
Double Channel Base Plate	SAC-BPDC	6" x 6"	4.08	408

## Submittal Information

Company Name	Phone	Date
Address	Project Name	Project Date
City	Project City	Comments
State & Zip	Project State	