

Three Hole Angle Bracket

SAC-AB3H



Overview

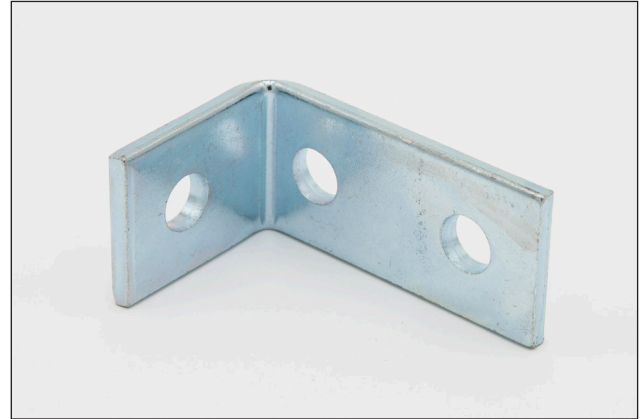
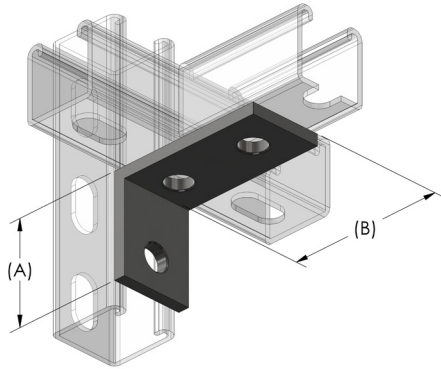
Rep Materials' Three Hole Angle Bracket for strut is a versatile and robust connector used to join strut channels at various angles, enhancing the flexibility and structural stability of support systems.

It features an L-shaped design with three pre-drilled holes, ensuring a secure and reliable attachment when fastening strut channels together. The arrangement of the holes allows for adjustable connections, catering to a wide range of construction and installation needs.

Specs

- Designed to fit 1-5/8" Strut Channel
- Manufactured from Electro Galvanized 1/4" Steel Plate
- Hole Spacing (On-Center): 17/8" (48mm)
- Conforms to ASTM B633, Type III SC1

Item	(A)	(B)
SAC-AB3H	3.1/2	5.3/8



WEIGHT CHART

Four Hole T Plate, Four Hole Corner Joiner, Five Hole Cross Plate, Perpendicular Two Hole 90° Bracket, Three Hole Angle Bracket

Name	Item	Size	Weights/PC lbs.	Weights/100 lbs.
Four Hole T Plate	SAC-TP4H	5.3/8" x 3.1/2"	0.66	66
Four Hole Corner Joiner	SAC-CJP4H	5.3/8" x 3.1/2"	0.69	69
Five Hole Cross Plate	SAC-CP5H	5.3/8" x 5.3/8"	0.90	90
Perpendicular Two Hole 90° Bracket	SAC-P90DCA2H	2.1/16" x 1.7/8"	0.35	35
Three Hole Angle Bracket	SAC-AB3H	4.1/8" X 1.5/8"	0.50	50

Submittal Information

Company Name	Phone	Date
Address	Project Name	Project Date
City	Project City	Comments
State & Zip	Project State	