

Beam Clamp

SAC-BCF

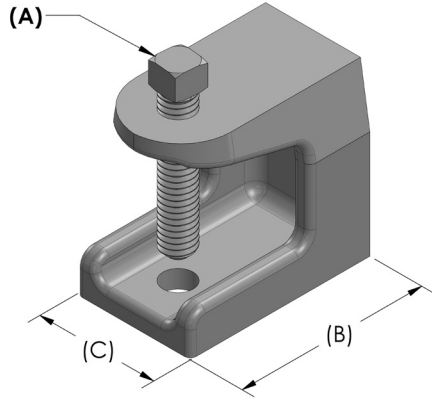
Overview

Rep Materials' beam clamp is a mechanical device used to attach or hang equipment, fixtures, or structural components from overhead beams, girders, or structural members.

Beam Clamps provide a secure and reliable means of attaching loads without the need for welding or drilling into the structural members, making them versatile and easy to install.

Specs

- Manufactured to secure 1-5/8" strut channels or all thread rod to beams or supports
- Beam Clamps are manufactured from Electro Galvanized cast iron
- Support for beams with a flange thickness not to exceed 5/8"



Item	Screw (A)	Size	Weights/PC lbs.
SAC-BCF	3/8-16"	1-3/8"	1-3/16"

WEIGHT CHART

Beam Clamp, U-Bolt Beam Clamp, Spring and Plain Channel Nut, Single and Double Channel Base Plate

Name	Item	Size	Weights/PC lbs.	Weights/100 lbs.
Beam Clamp	SAC-BCF	3/8"	0.95	95
U-Bolt Beam Clamp	SAC-BCUB338	3-3/8" X 2-1/2"	0.83	83
Spring Nut Long	SAC-SNL02	1/4"	0.08	8
Spring Nut Long	SAC-SNL03	3/8"	0.10	10
Spring Nut Long	SAC-SNL05	1/2"	0.12	12
Plain Channel Nut	SAC-PCN02	1/4"	0.07	7
Plain Channel Nut	SAC-PCN03	3/8"	0.10	10
Plain Channel Nut	SAC-PCN05	1/2"	0.12	12
Single Channel Base Plate	SAC-BPSC	6" x 6"	3.73	373
Double Channel Base Plate	SAC-BPDC	6" x 6"	4.08	408

Submittal Information

Company Name	Phone	Date
Address	Project Name	Project Date
City	Project City	Comments
State & Zip	Project State	